



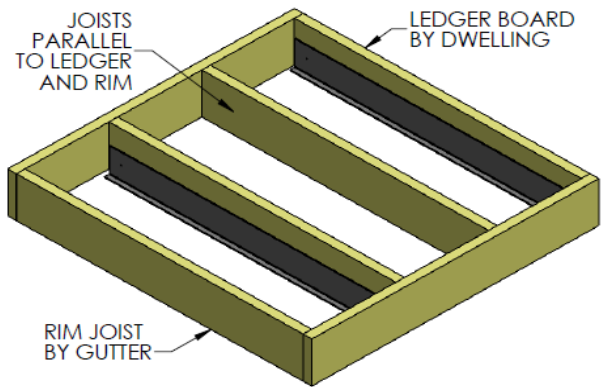
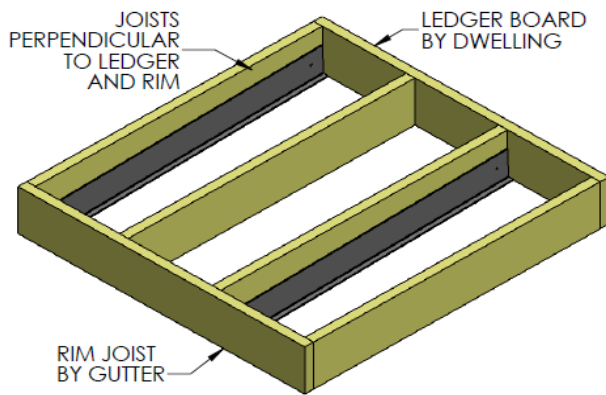
CEILING FAN / LIGHTING / SPEAKER INSTALLATION GUIDELINES

UpSide Under Deck Ceiling is a complete system that transforms your under deck area into a dry and enjoyable outdoor living space. Below you will find general installation guidelines. However, you should work with a licensed electrician.

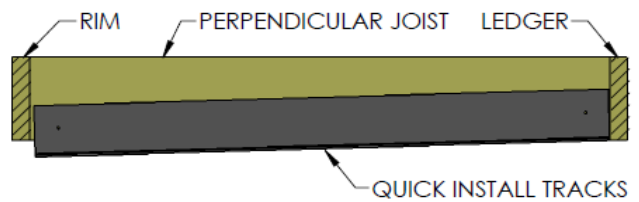
- * Fixtures and components are to be rated for outdoor use, either wet or damp locations.
- * Fixtures requiring power should be installed by a qualified licensed electrician.
- * The weight of the fixtures should be supported by the joists, not the UpSide Deck Ceiling.
- * Any holes cut into the UpSide channels should be as small as necessary and entirely on one channel.

Under no circumstance should a hole be cut through the interface where two channels meet.

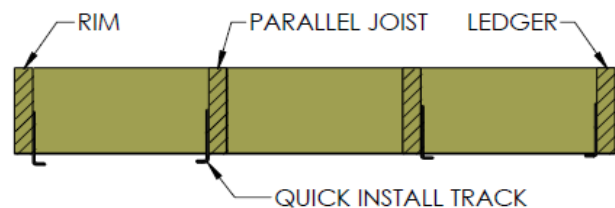
UpSide can be mounted to decks with joists perpendicular or parallel to the ledger board.



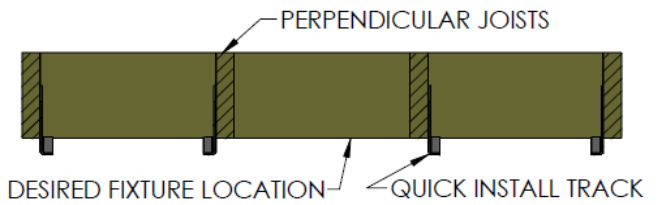
For perpendicular installations, the Quick Install Track should be sloped from the ledger to the rim by 1 inch per 8 feet or 1/8 inch per foot.



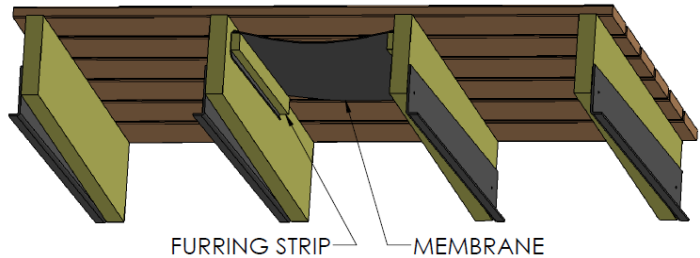
For parallel installations, each Quick Install Track should be level. As you progress from ledger to rim, each Quick Install Track should be about 5/32 inch lower, resulting in the 1 inch per 8 foot slope.



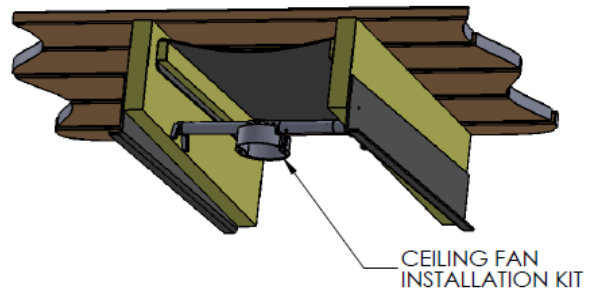
For either installation, install the Quick Install Tracks to the side of the joist opposite of the desired fixture location.



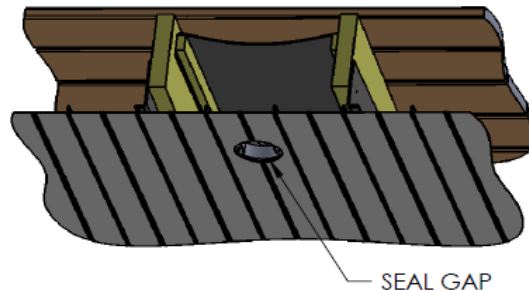
In order to prevent fluids from dripping onto the fixture and through the hole, install a membrane over the desired fixture location. The membrane should be pitched the same amount and direction as the Quick Install Tracks.



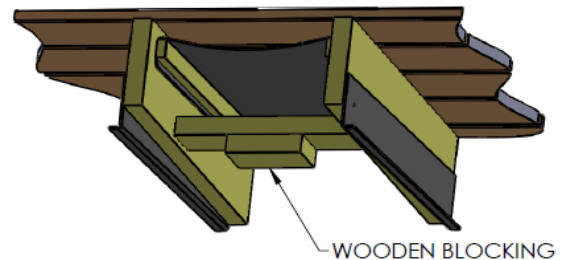
Ceiling fan installation kits are available for ceiling fan installations. Follow the instructions provided with the kit.



Thoroughly seal the entire perimeter of the junction box to the UpSide channel with waterproof sealant.



To support the weight of other fixtures, wooden blocking can be installed as shown.



Recessed lights require a hole nearly as large as the diameter of the fixture. A surface mounted light should only need a small hole for the cord. Install the fixture per the instructions included with the fixture. Be sure to seal the hole with waterproof sealant.

